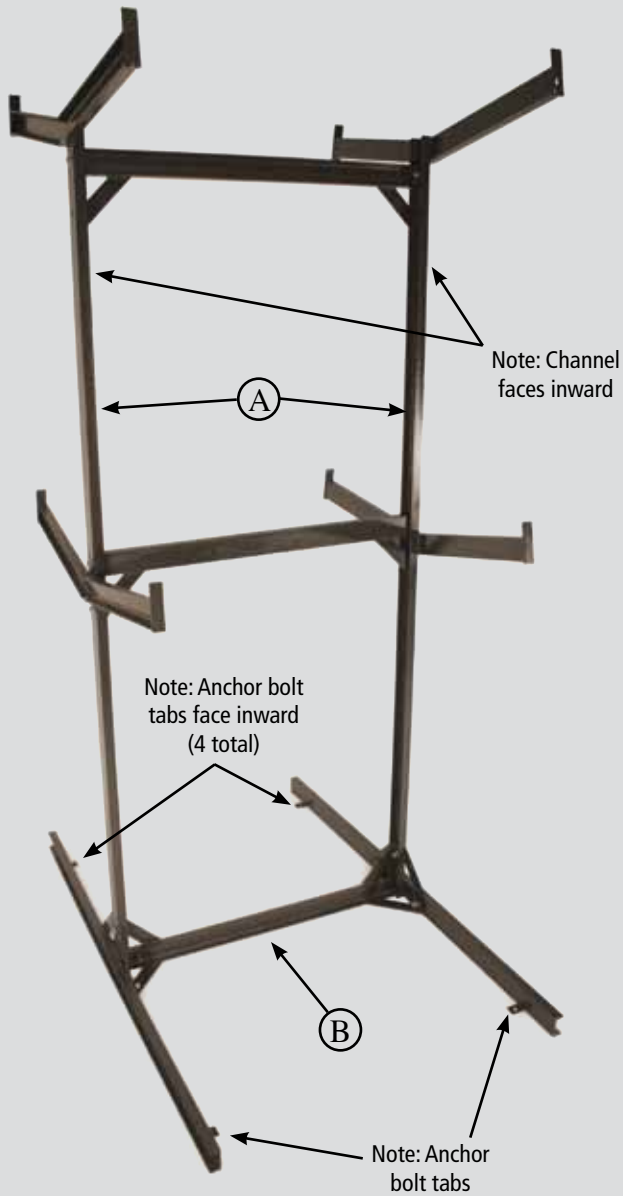


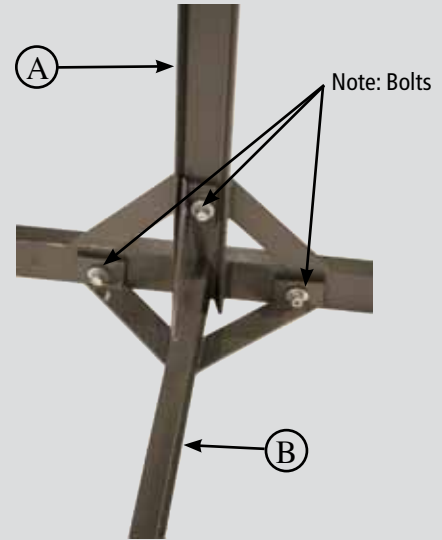
**STEP ONE**

Place Part B between two Part A's at bottom to begin.



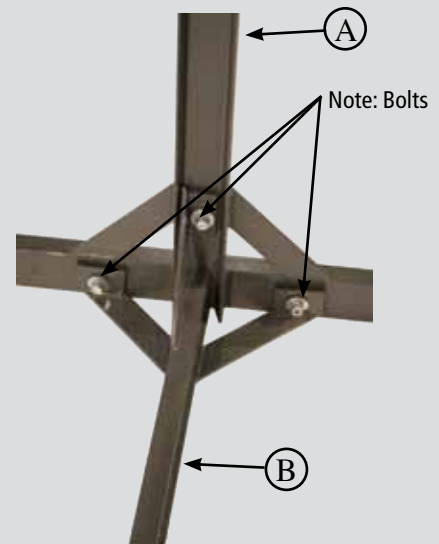
**STEP TWO**

Insert (3) 1/2" x 1 1/2" bolts to connect the Left side of Part A to the Left Side of Part B. Hand tighten lock nuts.  
*NOTE: DO NOT FULLY TIGHTEN BOLTS.*



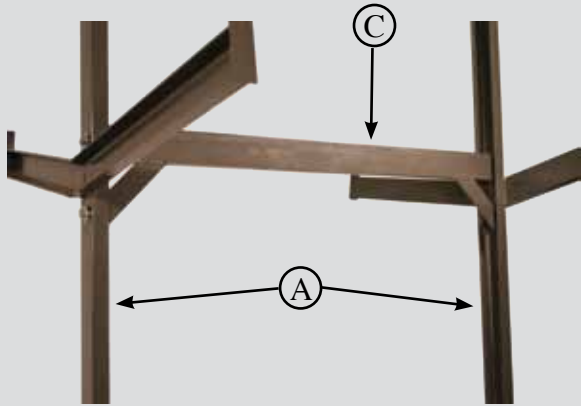
**STEP THREE**

Insert (3) 1/2" x 1 1/2" bolts to connect the Right side of Part A to the Right Side of Part B. Hand tighten lock nuts.  
*NOTE: DO NOT FULLY TIGHTEN BOLTS.*



## STEP FOUR

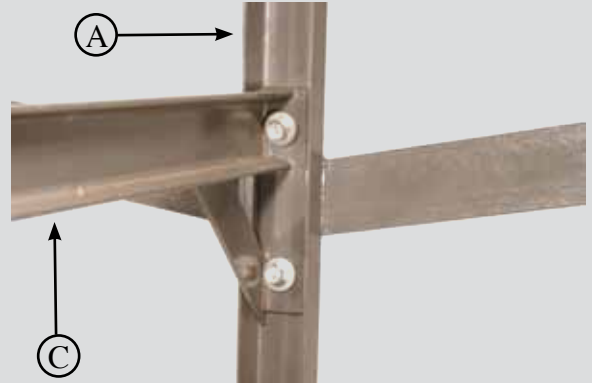
Place Part C between two Part A to complete middle assembly.



## STEP FIVE

Insert (2) 1/2" x 1 1/2" bolts to connect the Left Side of Part A to the Left side of Part C.

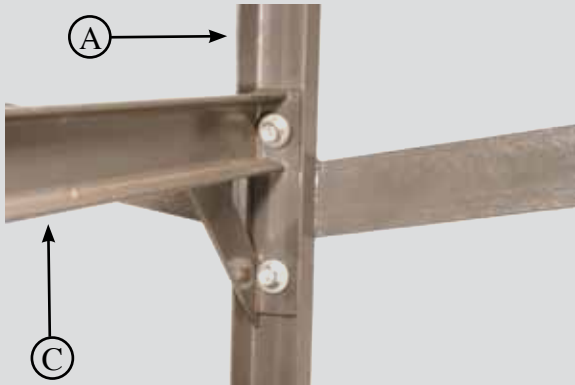
*NOTE: DO NOT FULLY TIGHTEN BOLTS.*



## STEP SIX

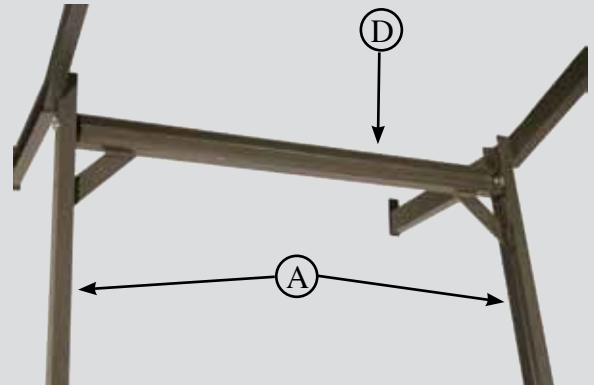
Insert (2) 1/2" x 1 1/2" bolts to connect the Right Side of Part A to the Right side of Part C.

*NOTE: DO NOT FULLY TIGHTEN BOLTS.*



## STEP SEVEN

Using a step ladder, place Part D between two Part A to complete top assembly.



## STEP EIGHT

Repeat steps 5 & 6 to complete assembly of Part D.

## STEP NINE

Fully tighten all bolts (14 total) once all parts are attached together.

**Your Gate Rack is now complete and ready to use!**



**TARTER**  
FARM AND RANCH EQUIPMENT